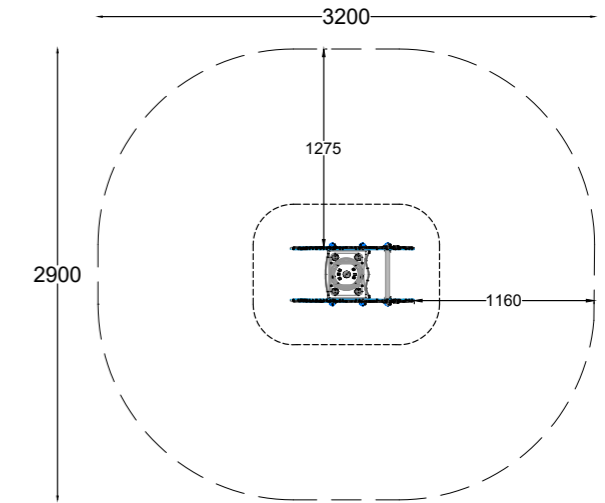
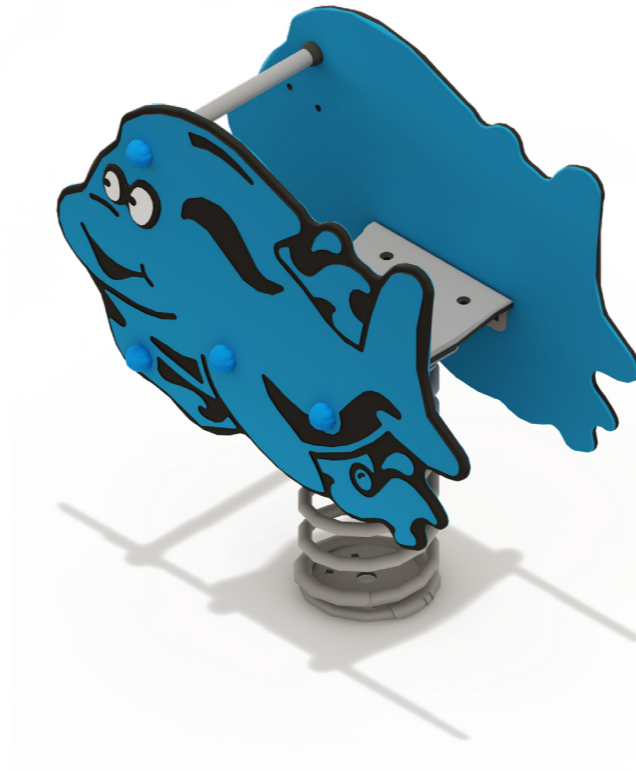
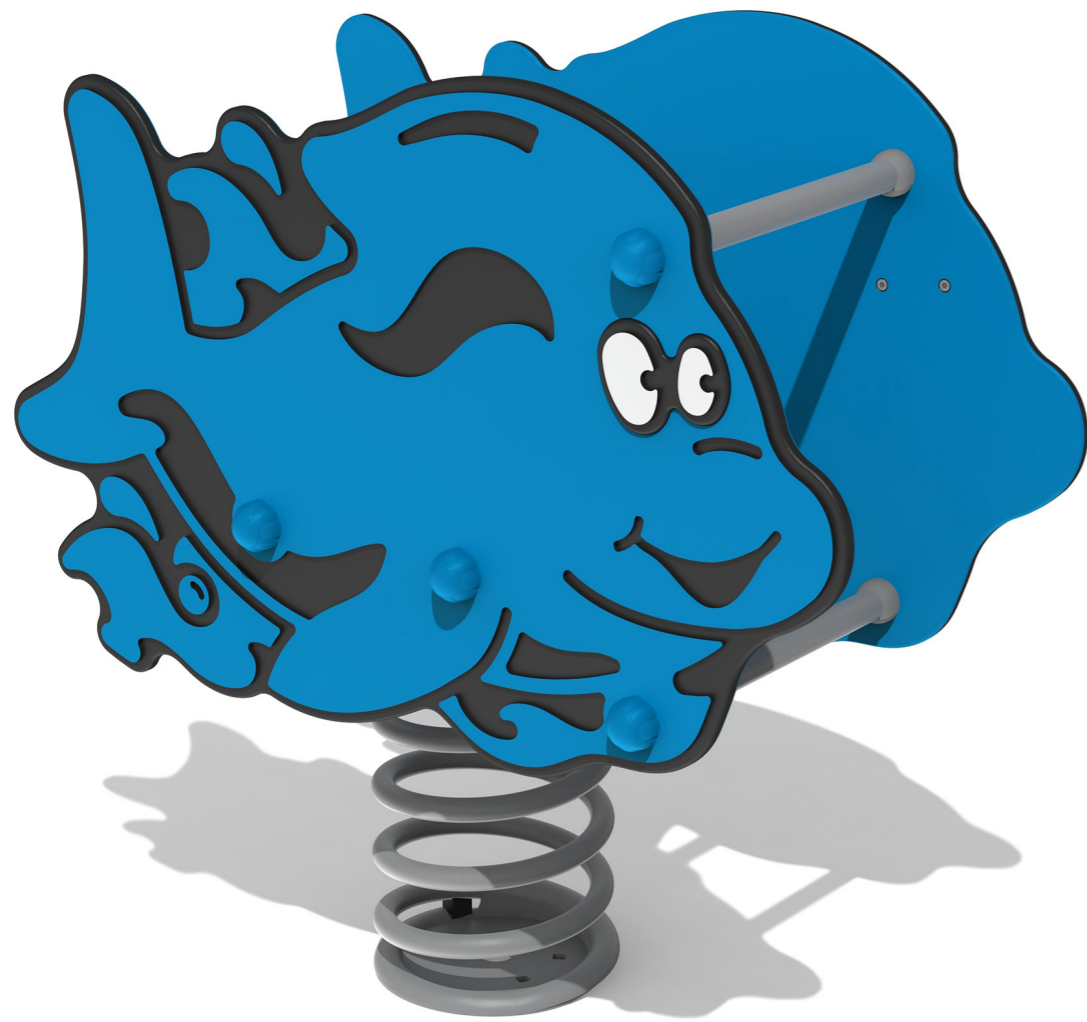


# PLMFSORCSI

Sammy the Orca Sit-In Rocker | Product Sheet



|                 |                         |
|-----------------|-------------------------|
| Range:          | Springers               |
| Ages:           | 2+ yrs                  |
| Capacity:       | 1                       |
| Equipment Size: | W 0.40m D 0.80m H 0.78m |
| Max FHO:        | 0.60m                   |

## Materials:



Two Colour High Density Polyethylene (HDPE)  
Orange Peel Texture



Powder coated steel spring with galvanised steel ground  
anchor. TUV certified to EN1176



Stainless steel fixing with precision security caps.

## Play Value:



Rocking



Balance



Role play



Interactive



\*Artistic representation only. Active Discovery intellectual property. Any reproduction, even partial, is prohibited. All rights reserved.