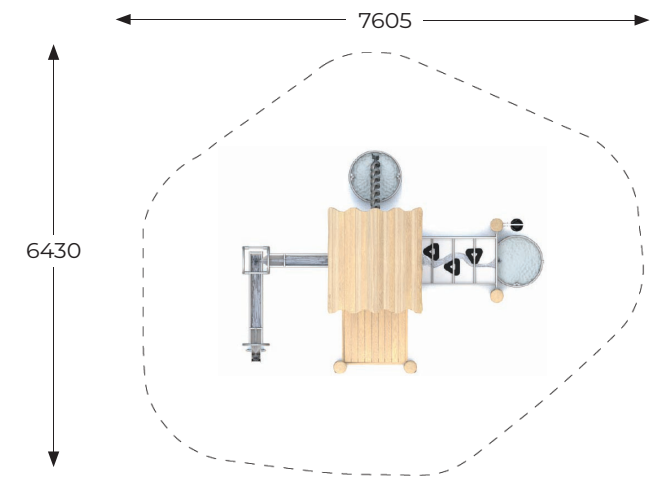


The Willow Water

Product Sheet



Product Code:	8189-2-1811122-1A
Range:	Water Play
Ages:	1-12 yrs
Equipment Size:	L 4.55m x W 3.40m x H 3.81m
Fall Zone:	L 7.61m x W 6.43m
Max FHO:	0.98m

Materials:



Made from high-quality AISI 304 stainless steel, ensuring durability and full resistance to weather conditions. Corrosion-resistant and suitable for outdoor use.



Timber sourced from responsibly managed forests.



The sand bucket is made of soft rubber, with a lift and chain crafted from stainless steel for strength and durability.



Triple-layered 15mm HDPE plates, offering high durability, UV resistance, and complete damp-proofing for long-lasting performance in demanding environments.



13mm high-quality colorful HPL plates (with black plates made of 8mm HPL), providing full damp-proof and UV resistance for enhanced durability.

Play Value:



Social



Water Play



Roleplay



Sensory