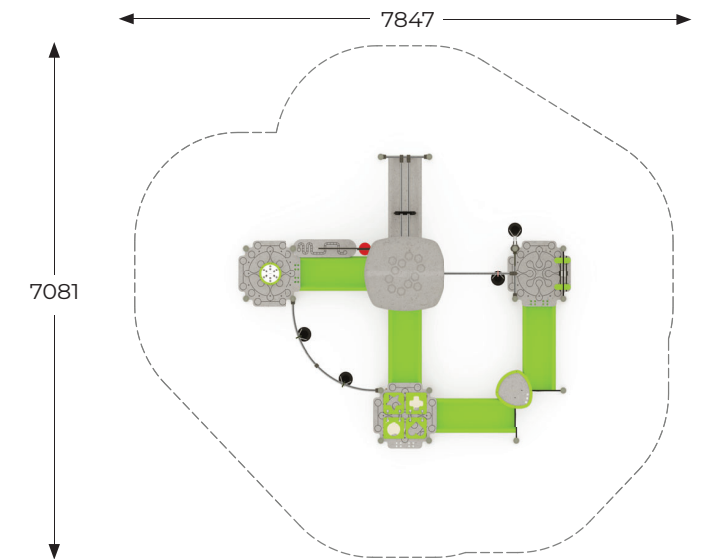


# Sandworks Grand Factory

Product Sheet



Product Code:	7126-5-23XII24-1A
Range:	Sand Play
Ages:	1-8 yrs
Equipment Size:	L 4.85m x W 4.08m x H 2.14m
Fall Zone:	L 7.85m x W 7.08m
Max FHO:	0.90m

## Materials:



Made from high-quality AISI 304 stainless steel, ensuring durability and full resistance to weather conditions. Corrosion-resistant and suitable for outdoor use.



Safe pipe plugs are made of injection-molded polyamide, ensuring durability and reliability for secure sealing.



The sand bucket is made of soft rubber, with a lift and chain crafted from stainless steel for strength and durability.



Triple-layered 15mm HDPE plates, offering high durability, UV resistance, and complete damp-proofing for long-lasting performance in demanding environments.



13mm high-quality colorful HPL plates (with black plates made of 8mm HPL), providing full damp-proof and UV resistance for enhanced durability.

## Play Value:



Sand Play



Social



Sensory



Roleplay