

# Round Bounce Mat

## TRP-012



## Product Specification

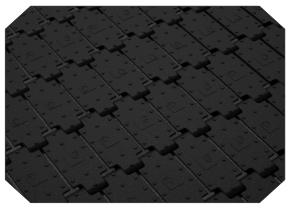
**Compliance**  
AS4685.1-6:2021

**Softfall Requirement**  
Area - 13.7sqm  
Perimeter - 13.1m  
Free Height of Fall - 1m

**Age Group**  
4+ Years

**Materials**

- UV Stable Nylon
- EDPM Rubber Cushion
- Powder Coated Marine Grade Aluminum
- Powder Coated Stainless Steel
- Stainless Steel Fasteners



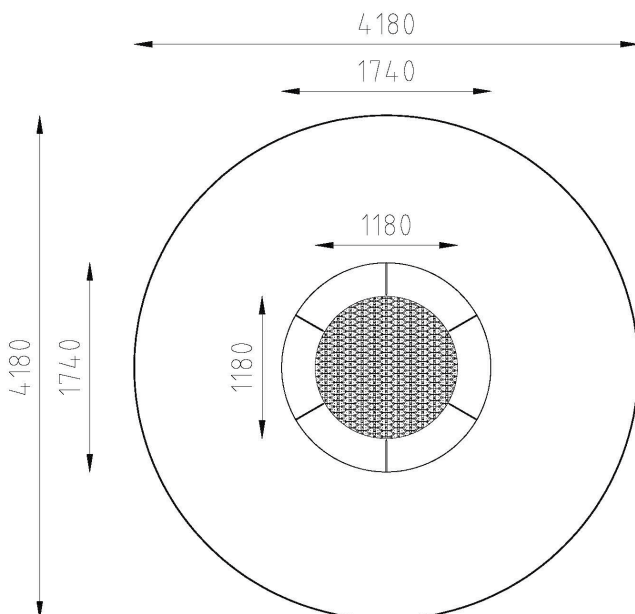
### Bounce Mat

Our Bounce Mat is designed to last, thanks to its reinforced galvanized steel and UV-stable nylon construction. This combination of materials provides exceptional durability and longevity, ensuring that your Bounce Mat will stand the test of time.



BOUNCE

## Top View



## Rubber Colours

Blue



Green



Mid Grey

