



## Product Specification

**Compliance**  
 AS4685.1-6:2021

**Circulation Requirement**  
 Area - 8sqm  
 Perimeter -10.2m

**Age Group**  
 2+

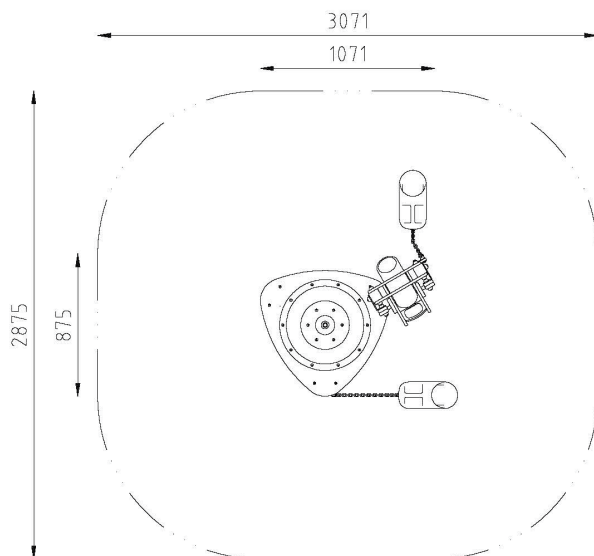
**Materials**

- UV Stable HDPE
- Powder Coated Marine Grade Aluminum
- Stainless Steel Fasteners
- Roto Moulded Plastic



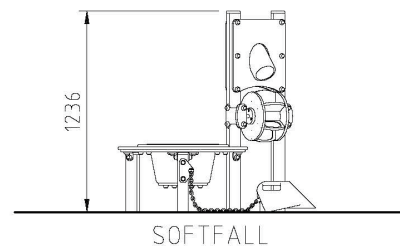
SOCIAL

### Top View



Circulation Zone

### Elevation



SOFTFALL

