



Product Specification

Compliance
EN 16630 : 2015

Movement Area Requirement
Dimensions - L 5.12m x W 4.14m
Area - 17.5sqm
Perimeter - 14.9 L/m
Free Height of Fall - 2.35m

Equipment Dimensions
L 1.21m x W 0.11m x H 2.41m

Age Group
14+ Years

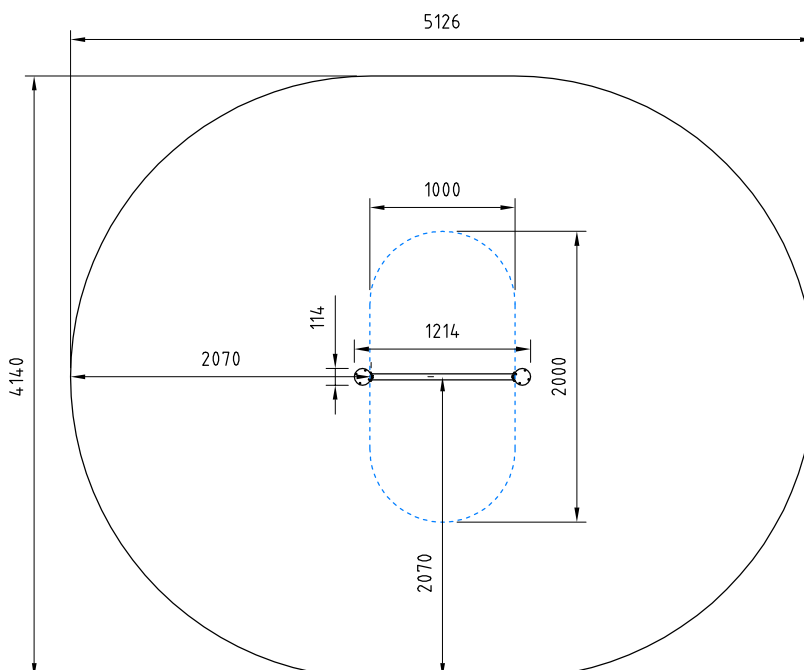
Materials

- UV Stable Post Consumer Recycled HDPE
- Powder Coated Marine Grade Aluminum
- Powder Coated 304 Stainless Steel
- Stainless Steel Fasteners

Intended Exercises

- Climb Up And Over
- Multi Level Push Ups
- Assisted Step Ups

Top View



Elevation

