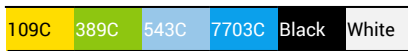


Sliding puzzle monster


The Sliding puzzle monster challenges children to think creatively and problem-solvingly in order to make the puzzle correct. The Sliding puzzle monster can be combined with IKC softplays and furniture. The square wall game can be attached to the wall or to an IKC play system, so it doesn't take up a lot of space. The frame is made of strong beech wood which is easy to clean.



Graphic colours Pantone no.



Play module | Sliding puzzle monster

Article no.	Frame colour	Colour code	Size HxWxD	Mounting	Age	KG	
PP00601	Turquoise	PMS 321C	55x60x4,5cm	wallmount	2 - 8 years	7,5 KG	Beechwood, MDF, ABS Plastic



TÜV SGS All our products are inspected, tested and certified by SGS and TÜV.

EN 71 European standard EN 71 specifies safety requirements for toys. Compliance with the standard is legally required for all toys sold in the European Union.

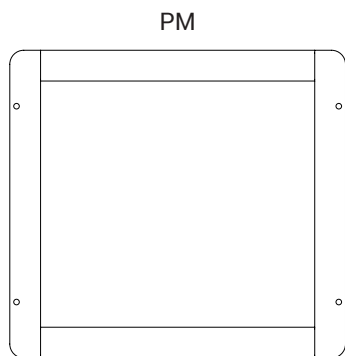
FSC All our products only use FSC certified wood, so eco- and environment friendly!

CE Our products conform with health, safety and environmental protection standards for products sold within the EU.

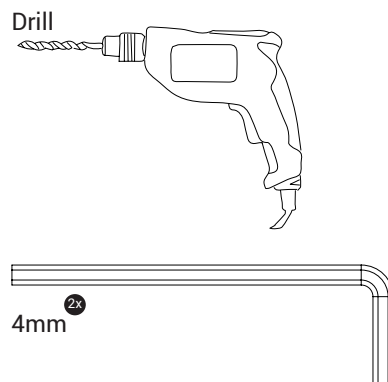
IKC | HQ EUROPE
 Dronten | The Netherlands
 +31 (0)321 38 77 30
 sales@ikcplay.com
 www.ikcplay.com

IKC | HQ ASIA
 Shanghai | China
 +86 (0) 21 6506 1232
 sales.cn@ikcplay.com
 www.ikcplay.com.cn

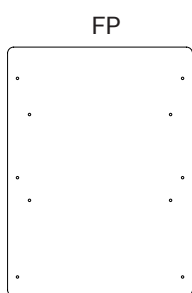
Playmodule



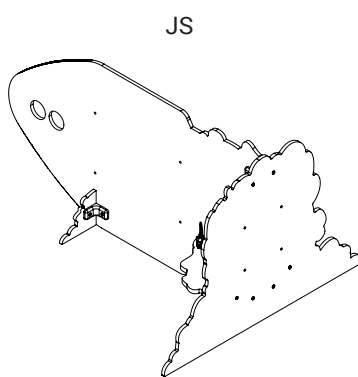
Required tools



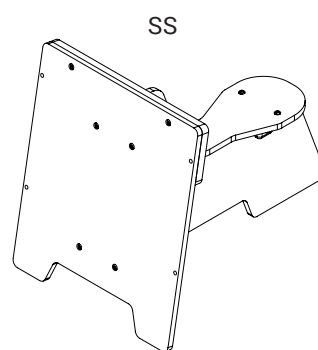
Fence Mounted



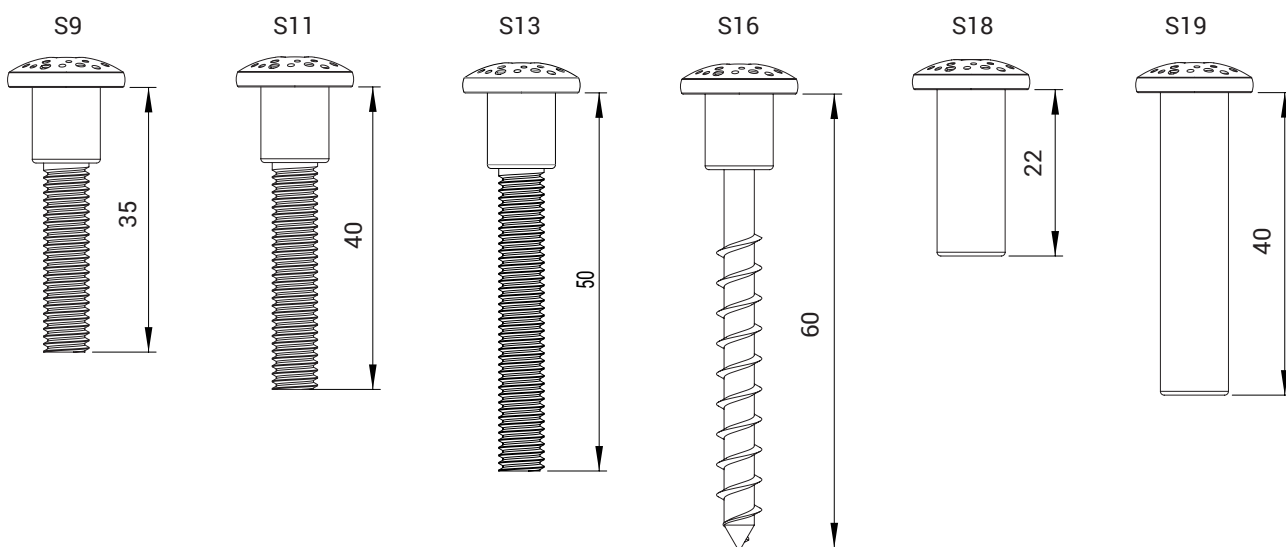
Jumpship mounted



Space Scouter mounted



Screws

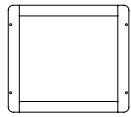


S16

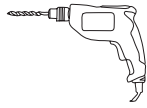
PM



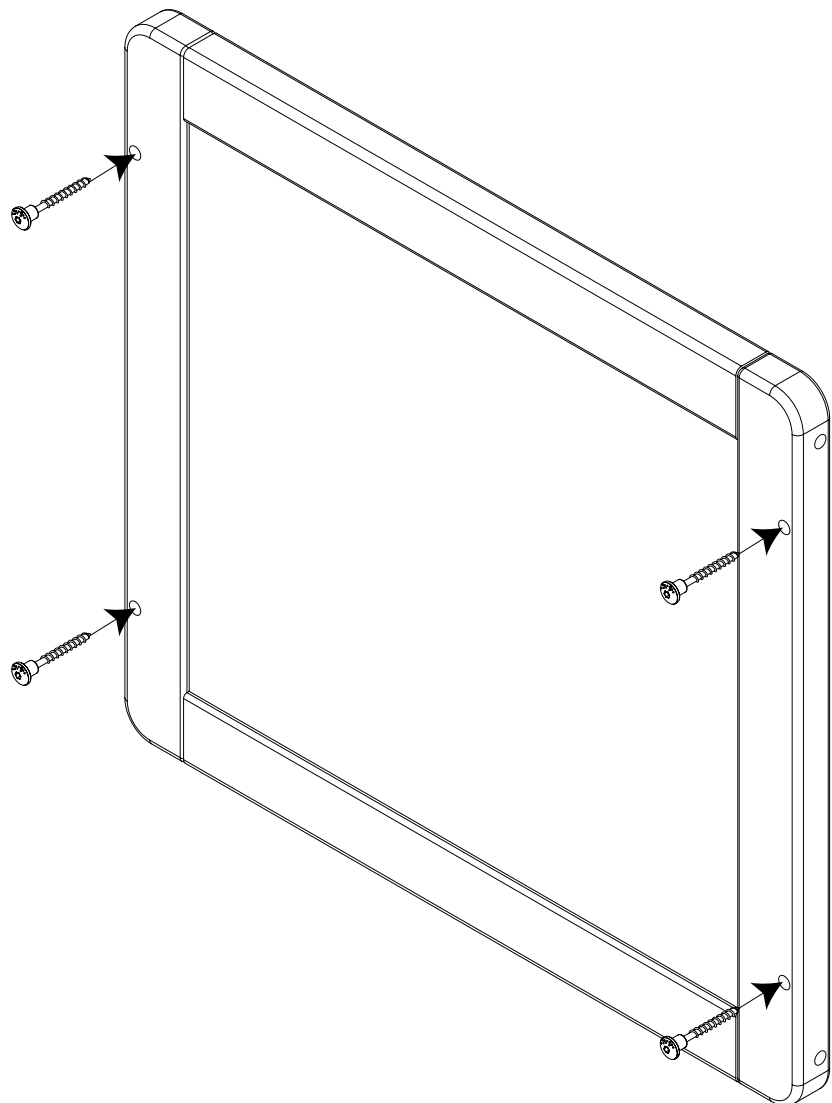
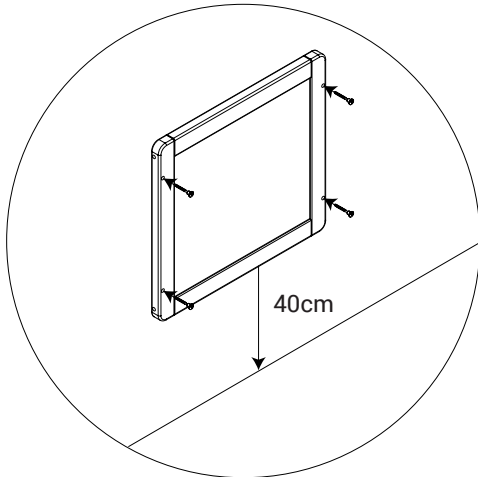
4x

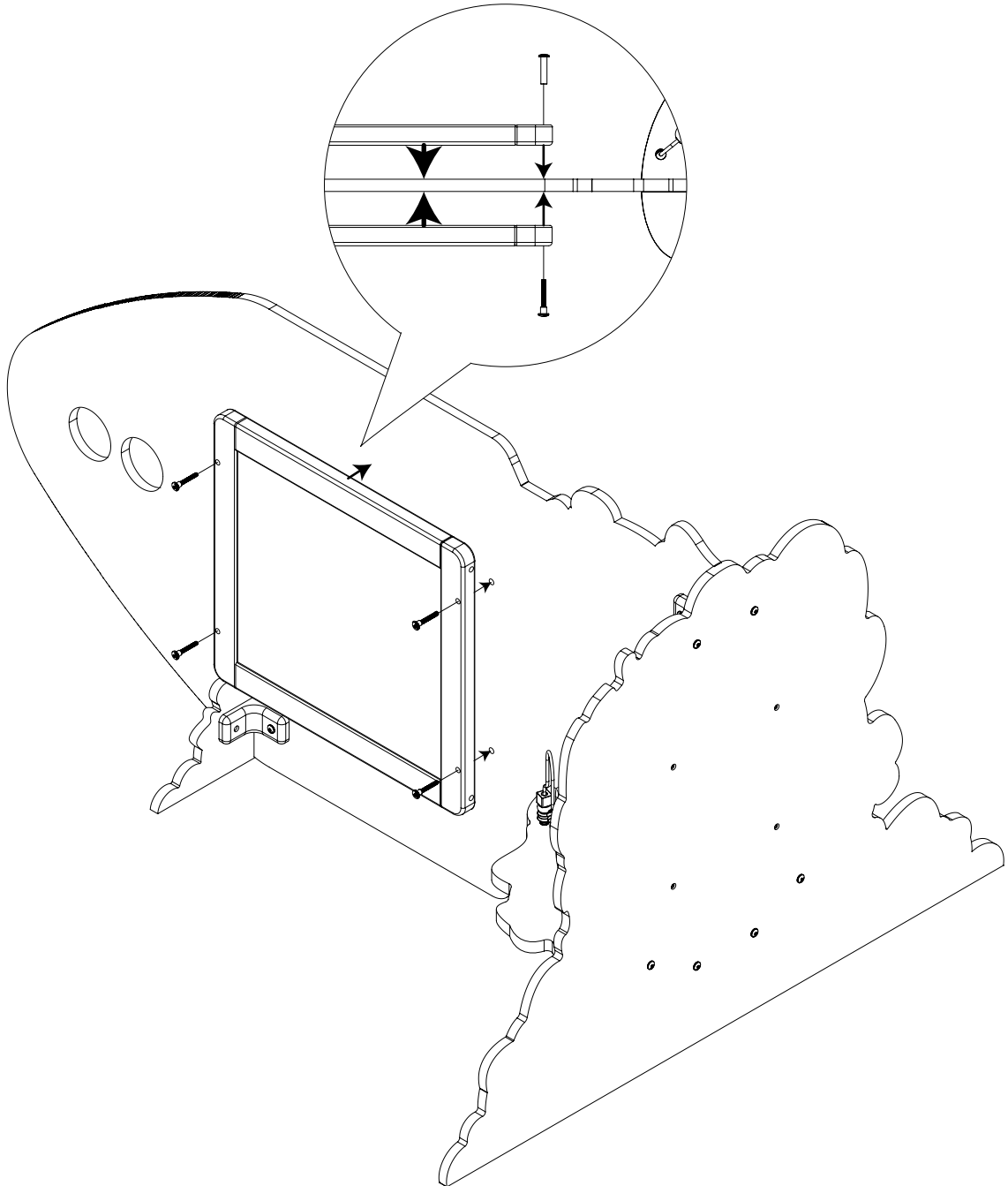
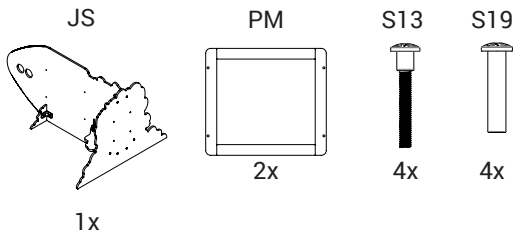


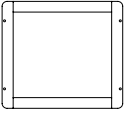





1x

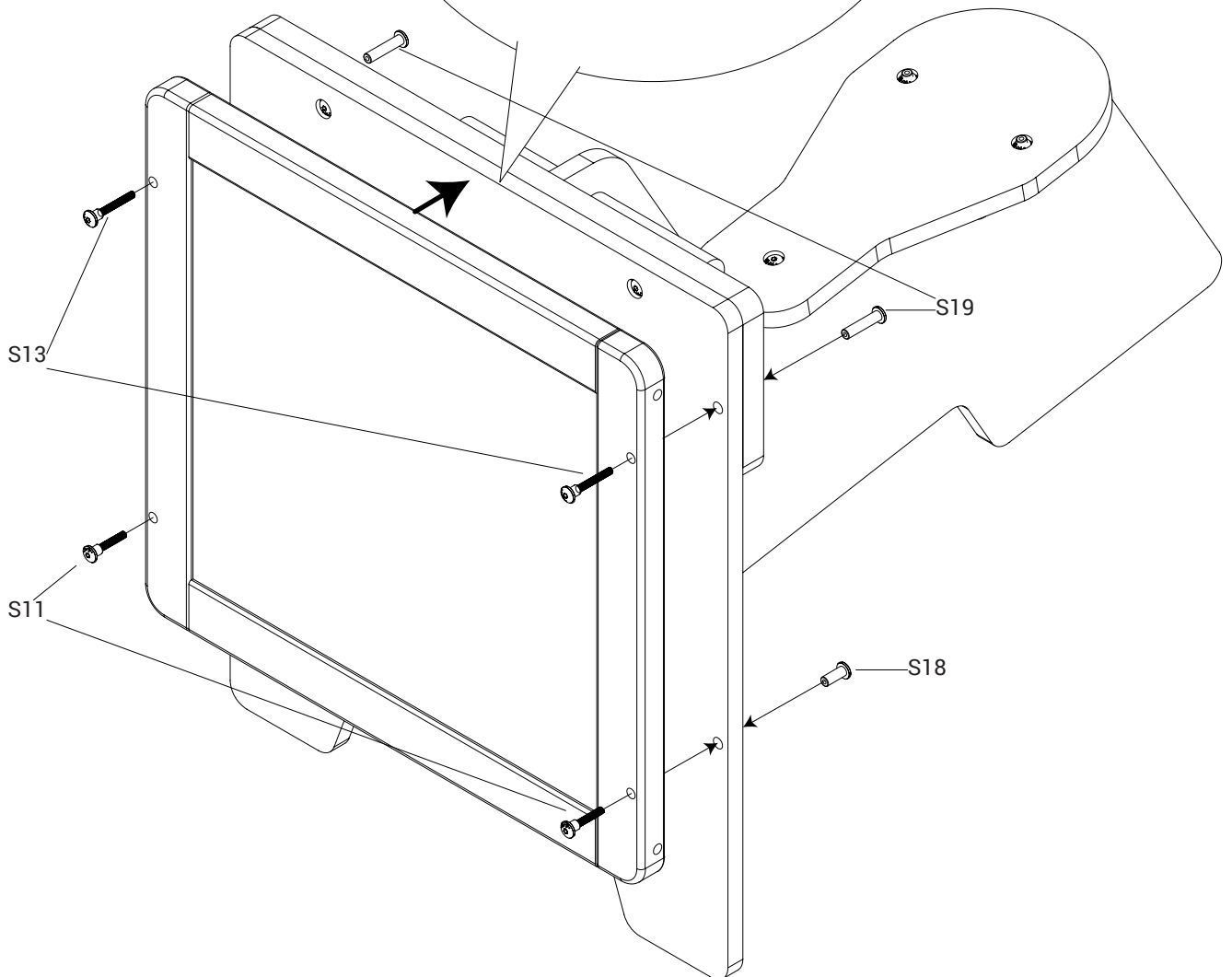
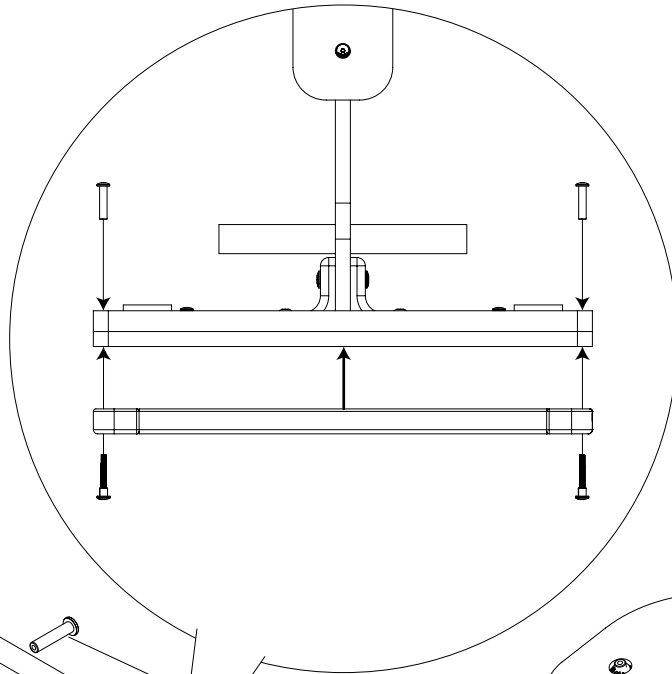


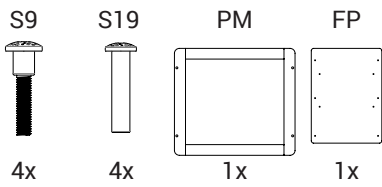
To ensure optimum play comfort the playmodule should be mounted at the following height.





- | | | | | | |
|---|---|---|---|---|---|
| PM | SS | S11 | S13 | S18 | S19 |
|  |  |  |  |  |  |
| 1x | 1x | 2x | 2x | 2x | 2x |





To ensure optimum play comfort the playmodule should be mounted at the following height.

