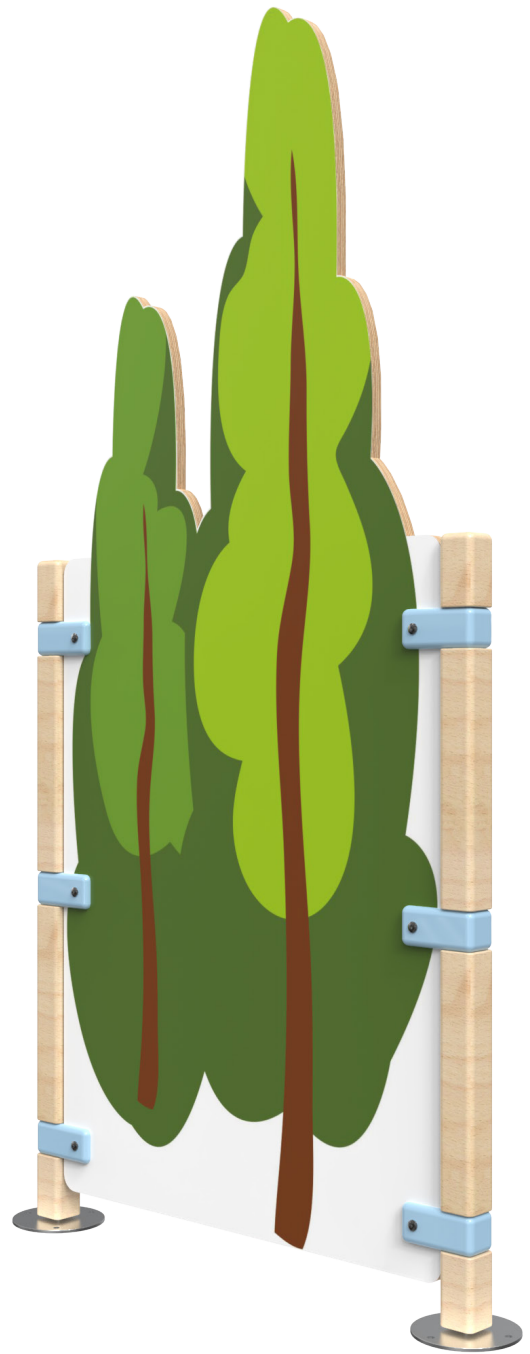
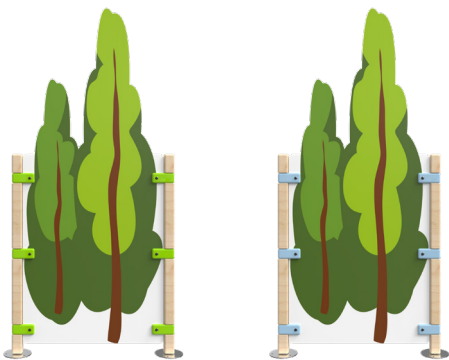


Fence poplar

Fence Poplar is one of the play panels from the IKC fence collection. This type shows a Poplar tree. With our fences you can create an entire play corner. Suddenly, the fences become part of an enchanted forest or city park. In our collection you will also find complete fence playhouses.

Corner piece colours Pantone no. and RAL

543C 375C RAL 9003



Fencing | Fence poplar

Article no.	Size HxWxD	Mounting	KG	Icons
HW00571	180x75,5x1,8 cm	floor mount	10 KG	MDF



TÜV SGS All our products are inspected, tested and certified by SGS and TÜV.

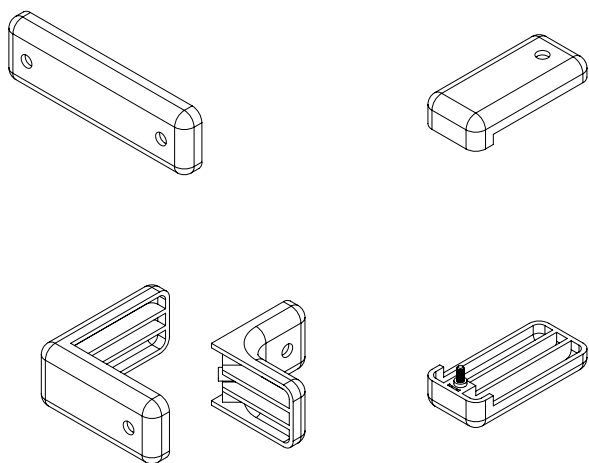
EN 71 European standard EN 71 specifies safety requirements for toys. Compliance with the standard is legally required for all toys sold in the European Union.

FSC All our products only use FSC certified wood, so eco- and environment friendly!

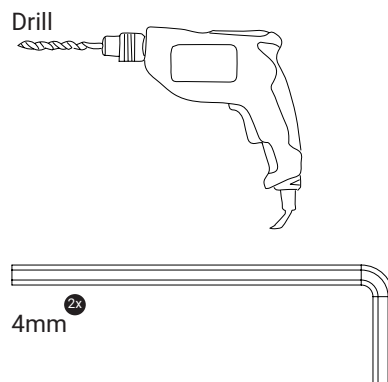
CE Our products are conform with health, safety and environmental protection standards for products sold within the EU.

IKC | HQ EUROPE
 Dronten | The Netherlands
 +31 (0)321 38 77 30
 sales@ikcplay.com
 www.ikcplay.com

IKC | HQ ASIA
 Shanghai | China
 +86 (0) 21 6506 1232
 sales.cn@ikcplay.com
 www.ikcplay.com.cn



Required tools



High Pole

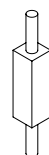
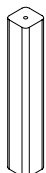
BP

LP

MP

HP

CP



1x

1x

2x

1x

3x

Low Pole

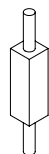
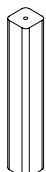
BP

LP

MP

HP

CP



1x

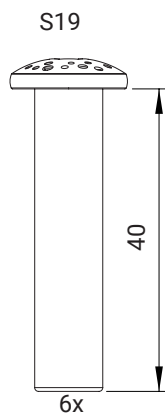
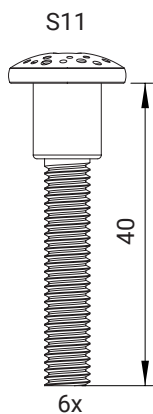
1x

1x

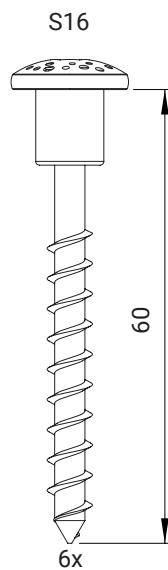
1x

2x

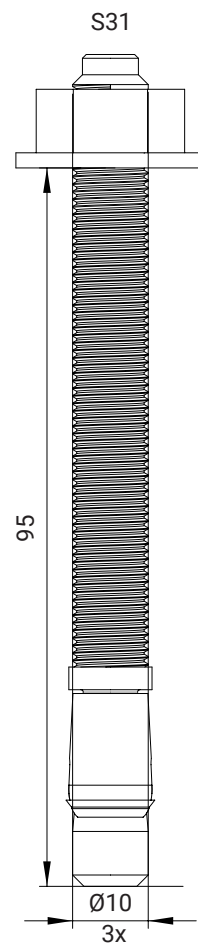
Screws



Screws Wallmount



**Screws
Floormount**

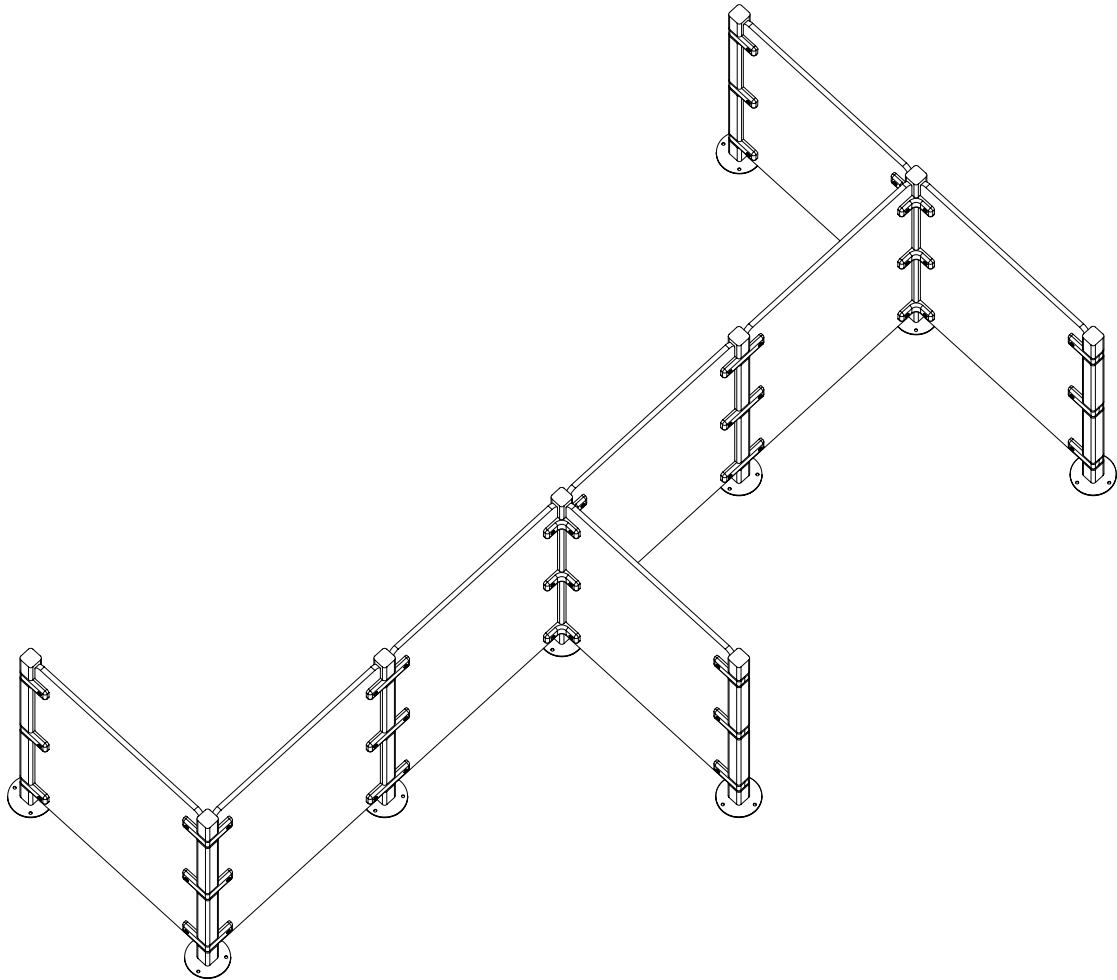


Not included

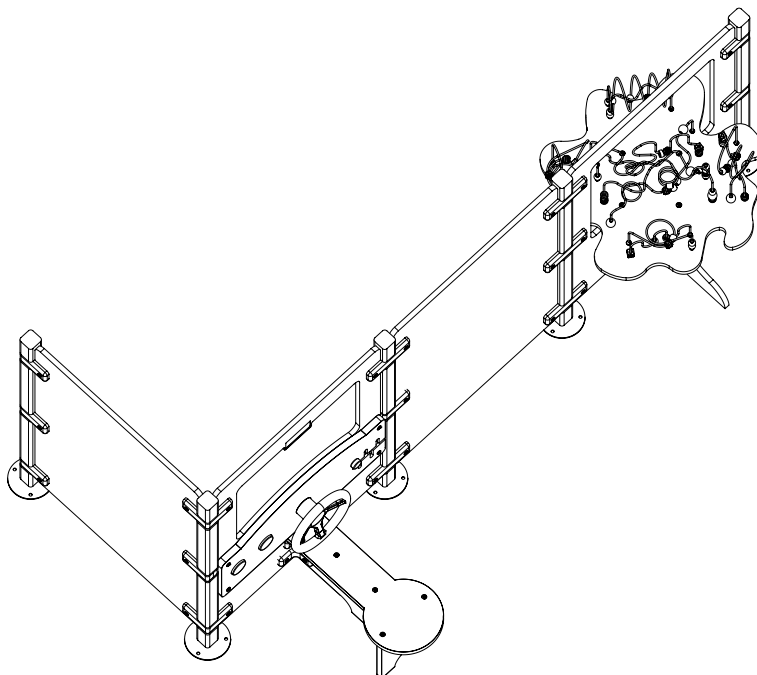
To ensure a stable product we recommend using a 90 degree angle every two panels (1).

A beadstree table or dashboard panel is also a good way to ensure stability. (2)

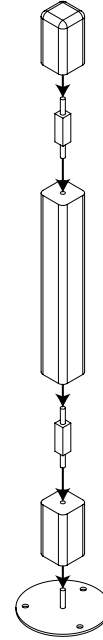
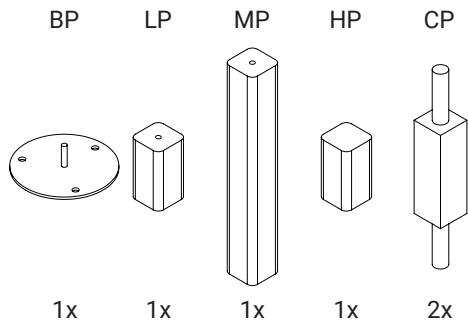
(1)



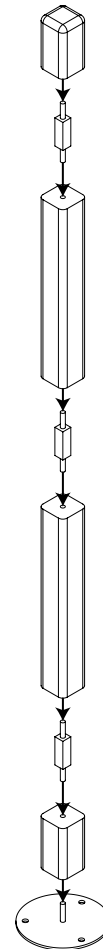
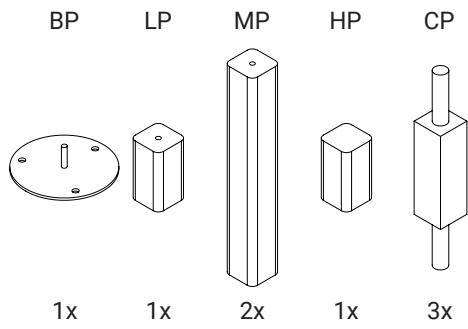
(2)

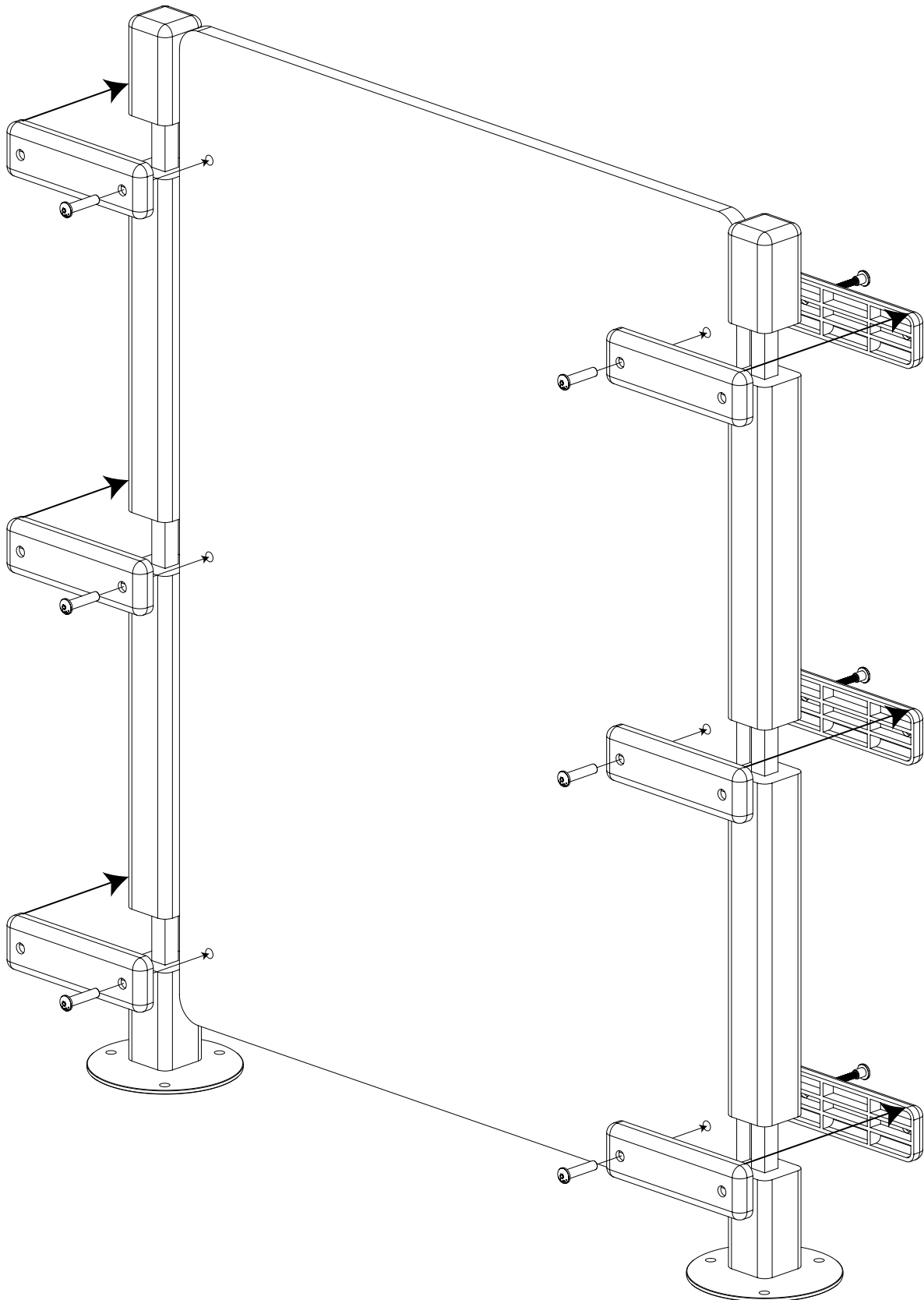
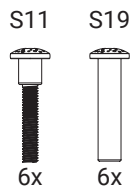


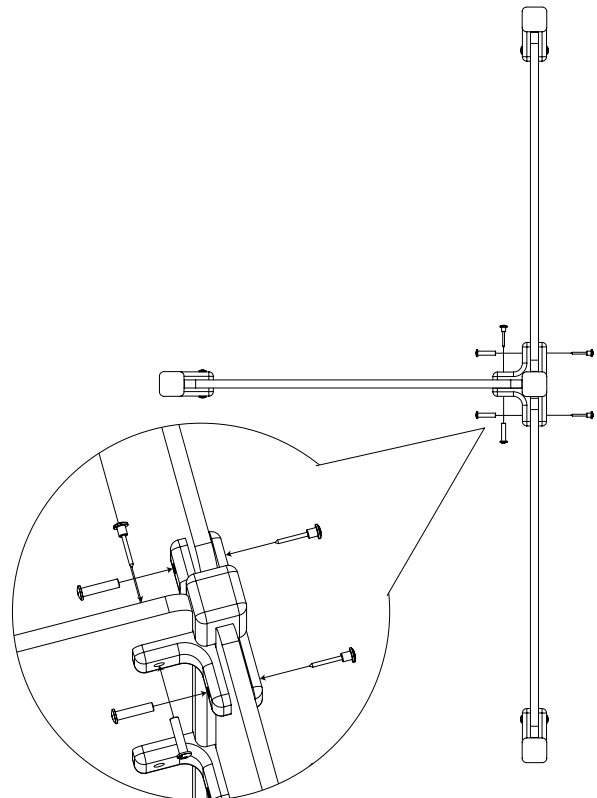
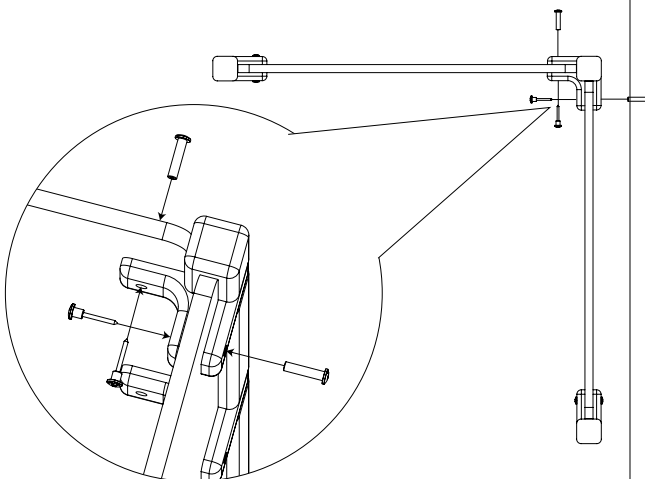
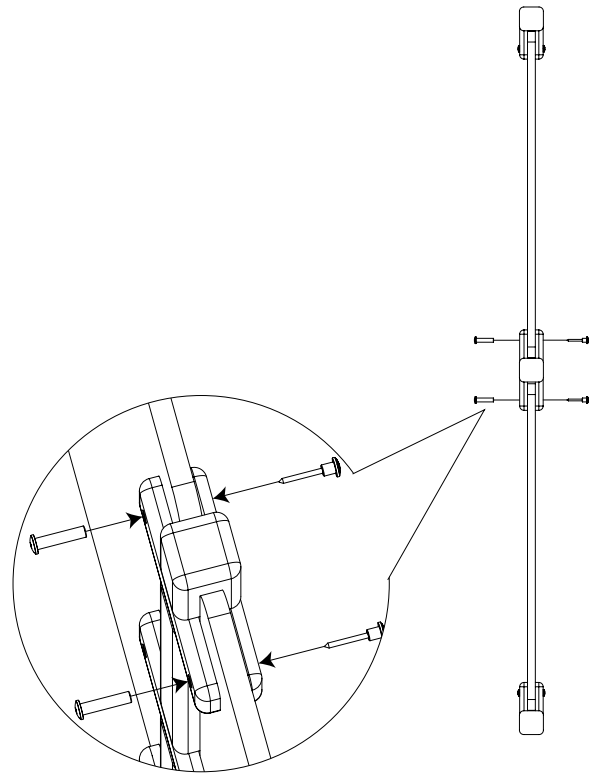
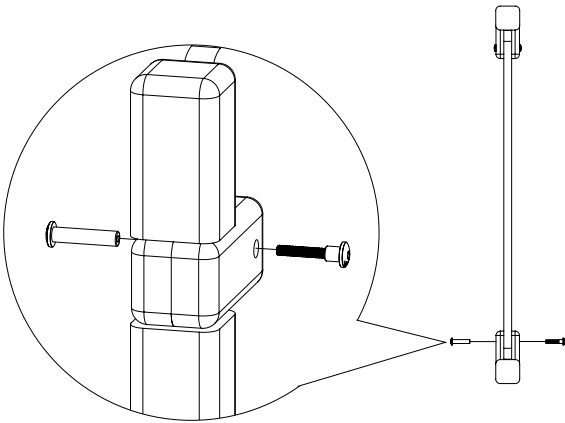
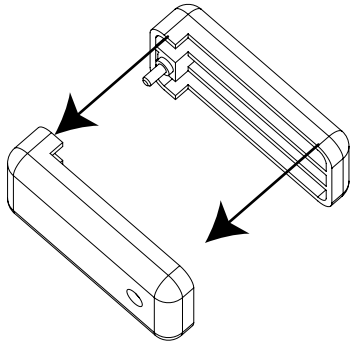
Low Pole



High Pole





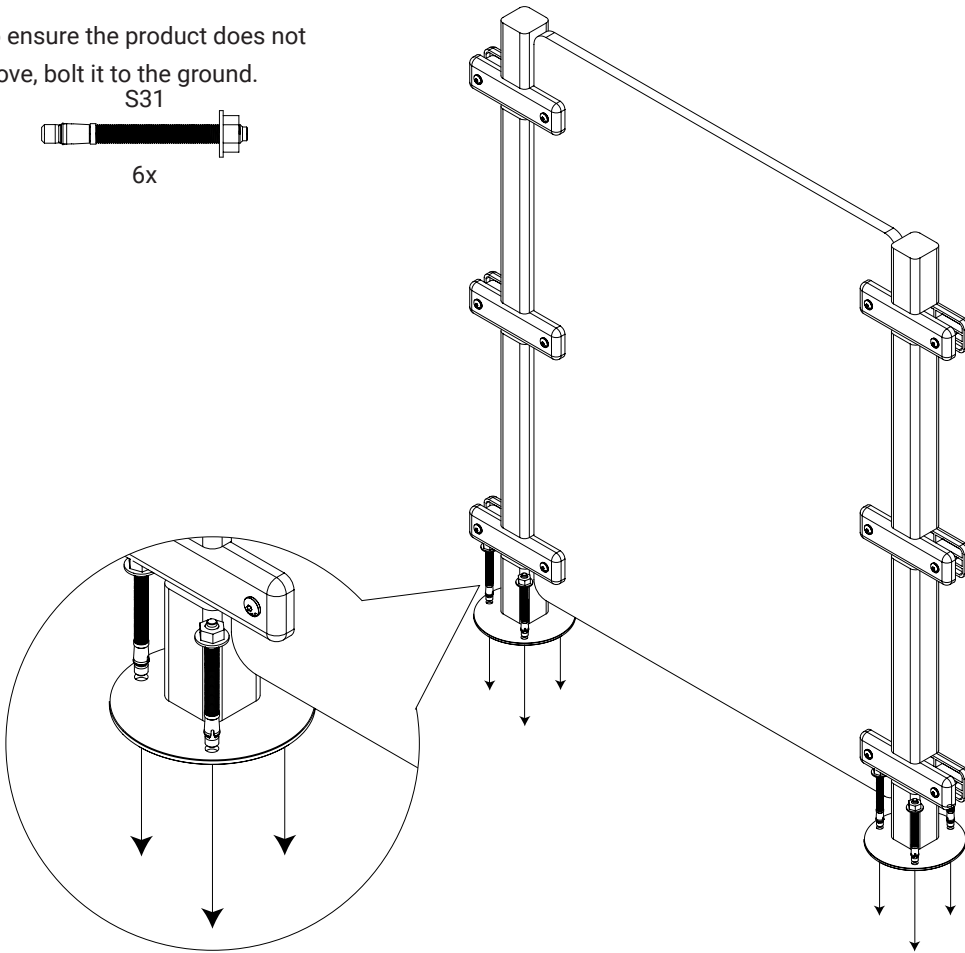


To ensure the product does not move, bolt it to the ground.

S31



6x

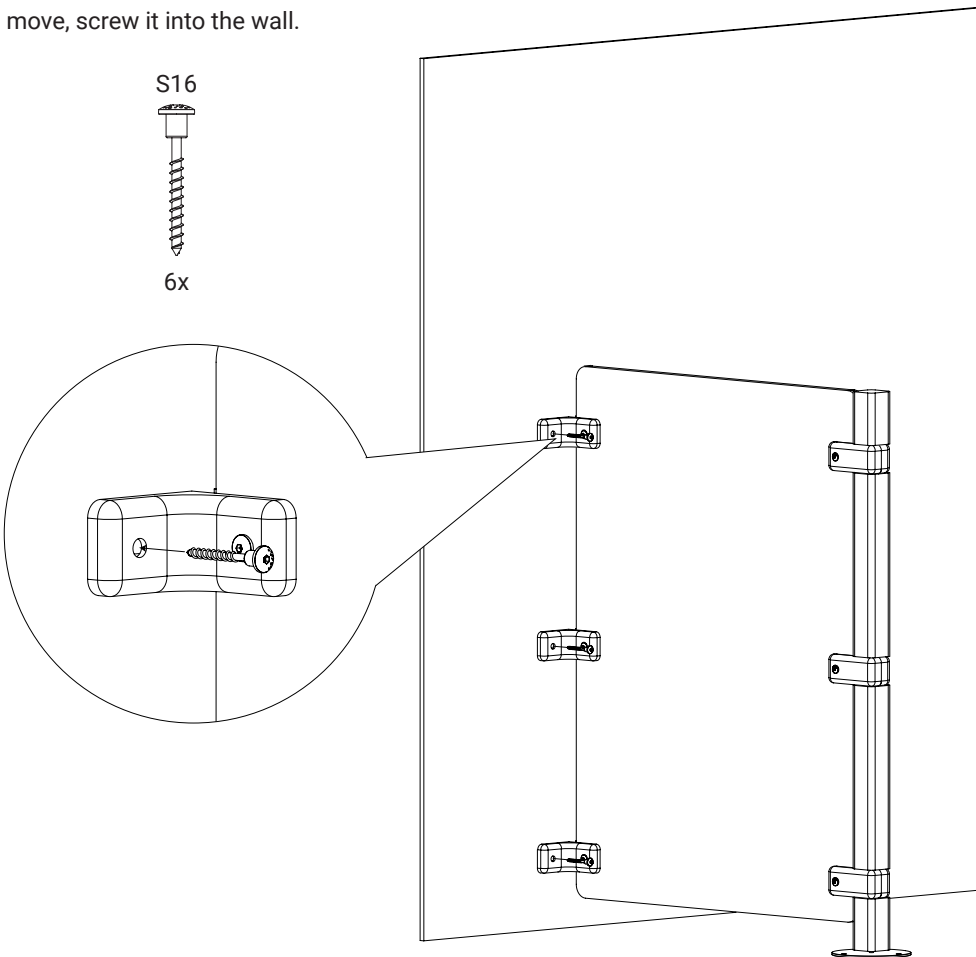


To ensure the product does not move, screw it into the wall.

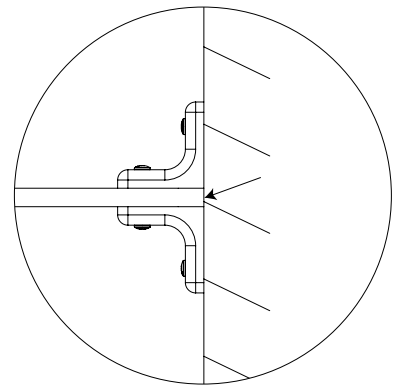
S16



6x



No gap between wall and panel



Drill new hole

