

2 Bay Swing: Flat - Toddler - Inclusive SW-007



Product Specification

Compliance
AS4685.1-6:2021

Softfall Requirement
Area - 45.6sqm
Perimeter - 27.2m
Free Height of Fall - 1.3m

Age Group
3+

Materials

- UV Stable HDPE
- Powder Coated Marine Grade Aluminum
- Aluminum Reinforced Rubber Seats
- Slashproof Rubber Seats
- Stainless Steel Fasteners
- Stainless Steel Swing Chains
- Stainless Steel Swing Hangers

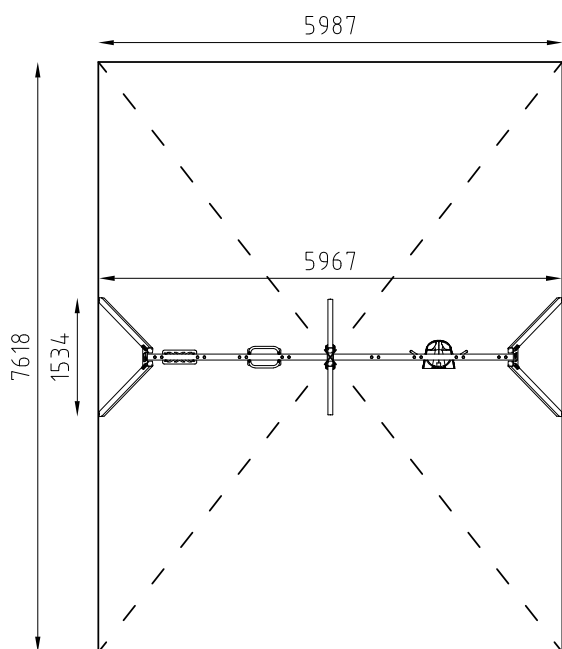


SWING



SOCIAL

Top View



Elevation

