

Product Specification

Compliance

AS4685.1-6:2021

Softfall Requirement

Area - 28.2sqm

Perimeter - 18.8m

Free Height of Fall - 1m

Age Group

2+

Materials

- UV Stable HDPE
- Powder Coated Marine Grade Aluminum
- Stainless Steel Fasteners
- Powder Coated 304 Stainless Steel

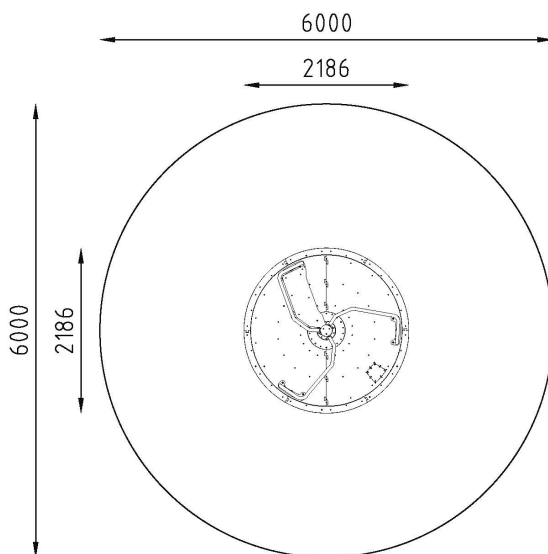


SOCIAL

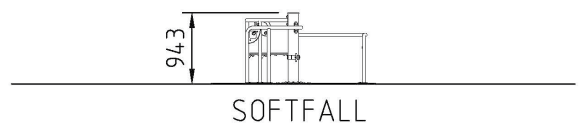


SPIN

Top View



Elevation



SOFTFALL

