

Product Specification

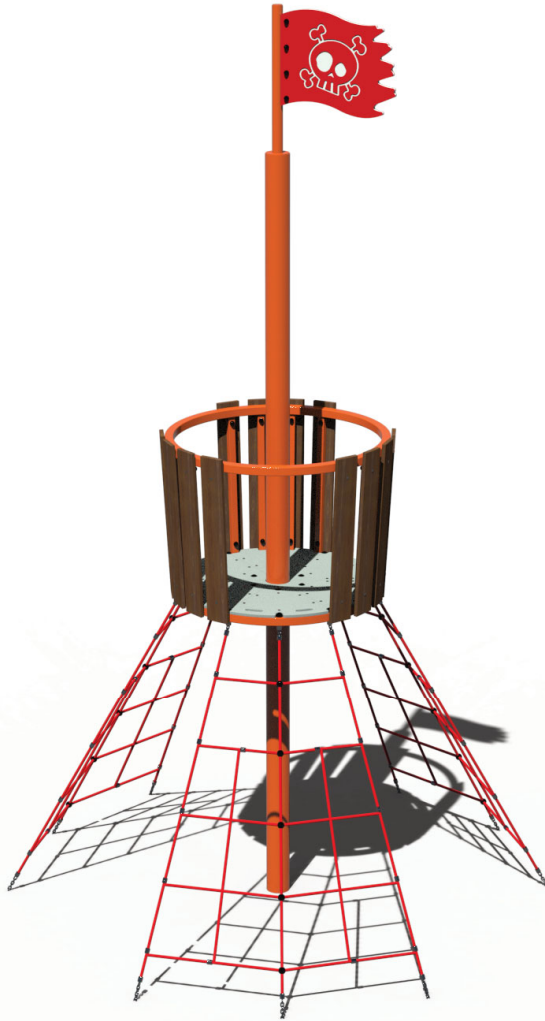
Compliance
AS4685.1-6:2021

Softfall Requirement
Area - 28.6sqm
Perimeter - 19.4m
Free Height of Fall - 2m

Age Group
4+

Materials

- UV Stable HDPE
- Powder Coated Marine Grade Aluminum
- Stainless Steel Fasteners
- Powder Coated Stainless Steel
- 16mm Woven Nylon Gal Core Rope
- Aluminum & Nylon Rope Fittings



CLIMB



DISCOVER

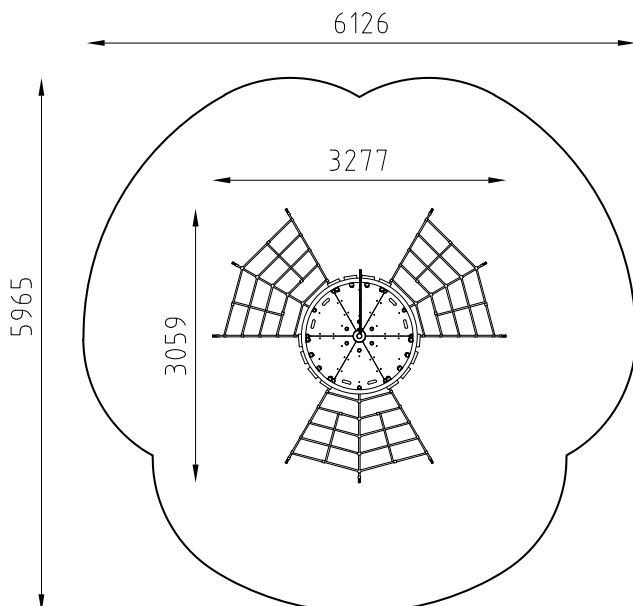


BALANCE



SOCIAL

Top View



Elevation

